

chandler



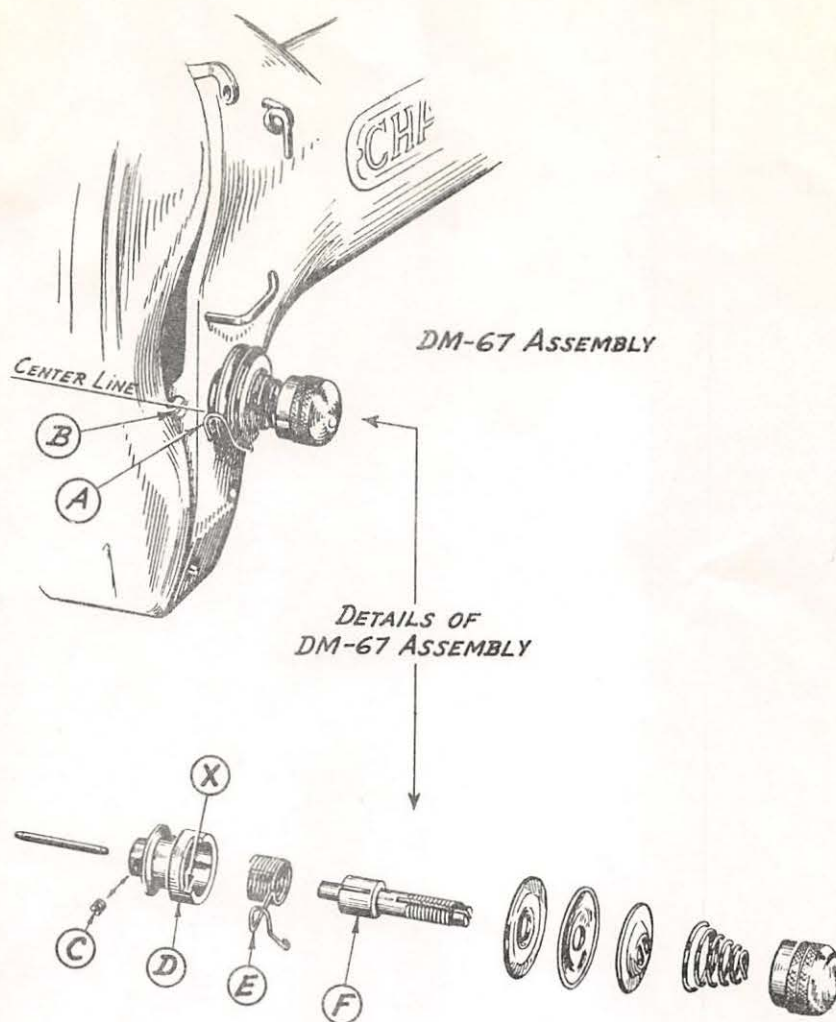
DARNING & MENDING MCH.

INSTRUCTION &
PARTS BOOK FOR
THE FOLLOWING
CLASSES: 136, 138,
140, 144, 146, 671.

chandler machine co.
ayer, mass. 01432
u. s. a.

tel: 617-772-3393

TOP THREAD TENSION ASSEMBLY



-NOTE-

Position of DM-67 Assembly is correct when top of Check Spring (A) is opposite Center Line of Set Screw (B) as illustrated above... To obtain this position, loosen Set Screw (B) and rotate DM-67 Assembly the desired amount. Then tighten Set Screw (B) securely.

When assembling details - Before tightening Set Screw (C) rotate Stud (F) until Spring (E) positions itself against lower shoulder (X) with a very slight tension. Otherwise Spring (E) will have no tension and will "float" in the slotted opening of the Tension Barrel (D).

BOBBIN CLEARANCE

FOR CHANDLER DARNER
CLASS-146

1st STEP

The clearance between Bobbin Holder (A) and Bobbin (B) at (X) (See Figs. 1 and 1A) should be approximately $\frac{1}{32}$ of an inch.

To adjust clearance, loosen Set Screw (C) (nearest one towards operator of three Set Screws on underside of Yoke Casting) Fig. 1 and turn Eccentric Screw (D) right or left until the desired clearance is obtained. Then tighten Set Screw (C) securely.

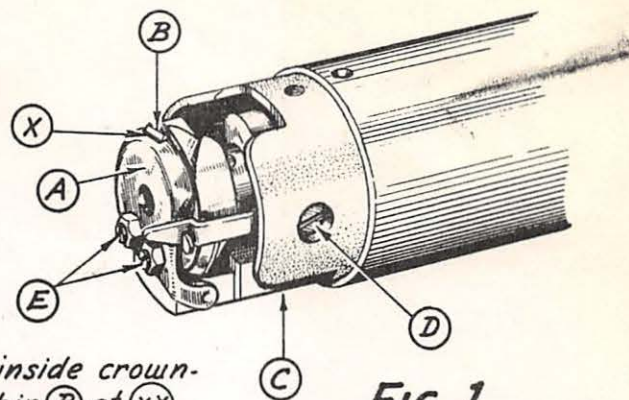


FIG. 1

2nd STEP

The amount of clearance between the inside crowned ends of Adjusting Screws (E) and Bobbin (B) at (XX) (See Figs. 1 and 1A) should be just sufficient to allow the thread to pass between them. To adjust, loosen Lock Nuts and turn Adj. Screw (E) until it tightens on Bobbin Case - then loosen about $\frac{1}{4}$ of a turn. - hold in position with screw-driver and tighten Lock Nuts.

-NOTE-

Excessive clearance at (XX) Fig. 1A will cause rattling of Bobbin Case (B).

FOR CHANDLER DARNER
CLASS-136-138-140 AND 144

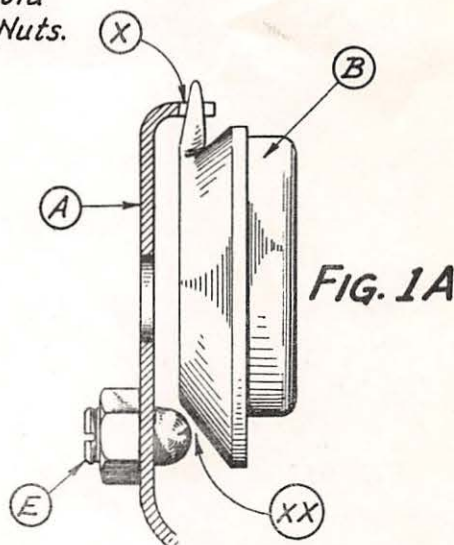


FIG. 1A

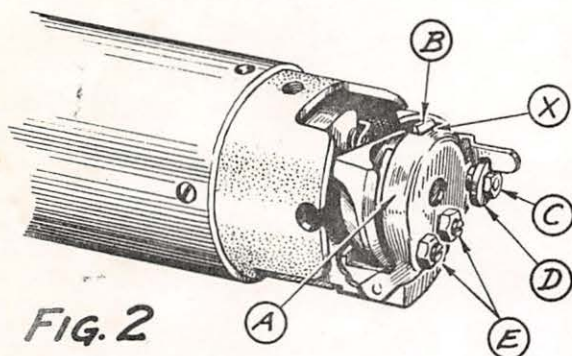


FIG. 2

2nd STEP

Adjust for clearance at point (XX) Fig 1A by means of Adjusting Screws (E) Fig. 2 using same procedure as outlined in the above 2nd STEP.

1st STEP

The clearance between Bobbin Holder (A) and Bobbin (B) at (X) (See Figs. 2 and 1A) should be approximately $\frac{1}{32}$ of an inch. To adjust, loosen Lock Nut (C) Fig. 2 and turn Threaded washer (D) in or out until the desired clearance is obtained. Holding Threaded Washer (D) in position, tighten Lock Nut (C) securely.

MACHINE TIMING

NEEDLE TO HOOK

1st STEP

Remove Screws (A) (B) and (C) Fig. 1 and take off Face Plate and Latch Sleeve.

2nd STEP

Making sure the Needle is up into Needle Bar as far as possible, turn machine until timing mark (X) Fig. 2 on Crank Head (D) is directly in line with Pin (E) as shown in Fig. 2.

At this time the point of Hook (F) Fig. 2 should be at the Vertical Center Line of the Needle and $\frac{1}{16}$ of an inch above the Needle Eye as shown in enlarged view Fig. 2A and at the center of the scarf in the Needle as shown below in Fig. 2B.

To make these adjustments, proceed as outlined below in STEP (3).

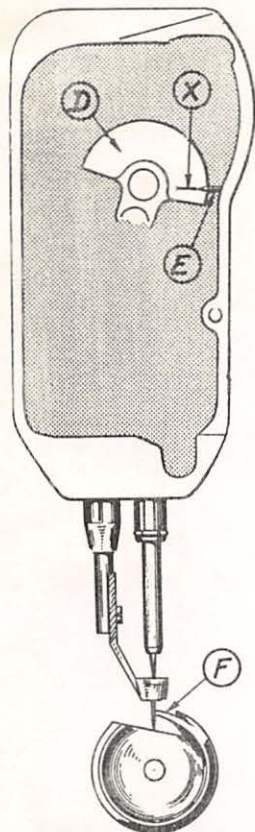
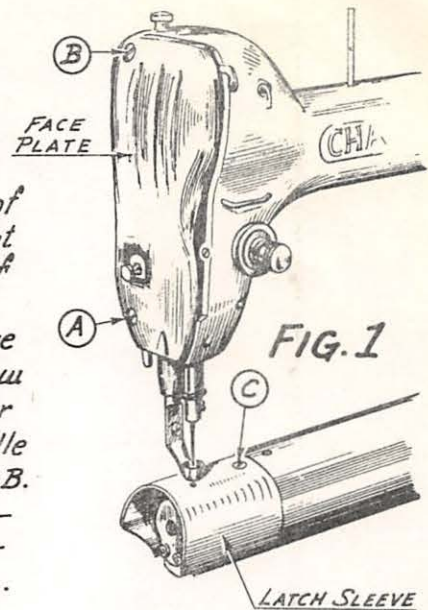


FIG. 2

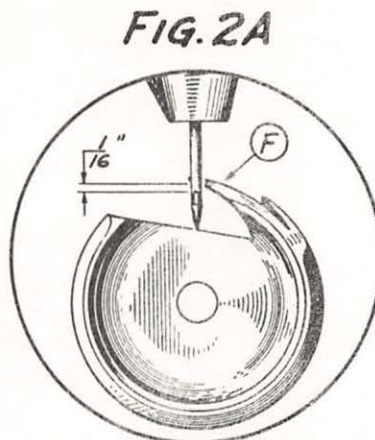


FIG. 2A

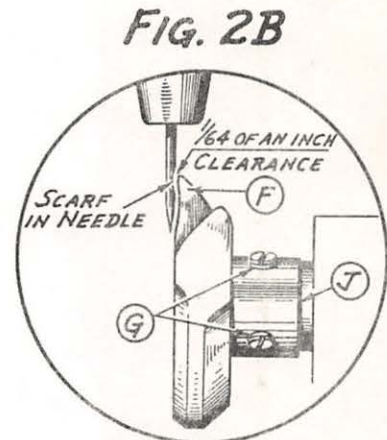


FIG. 2B

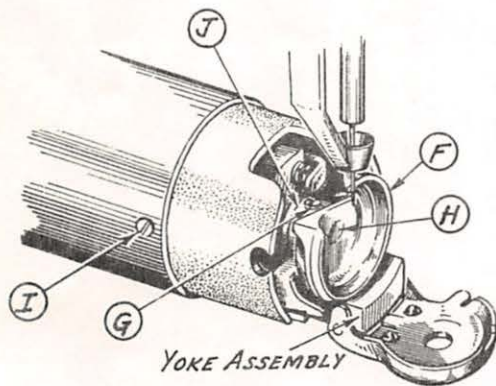
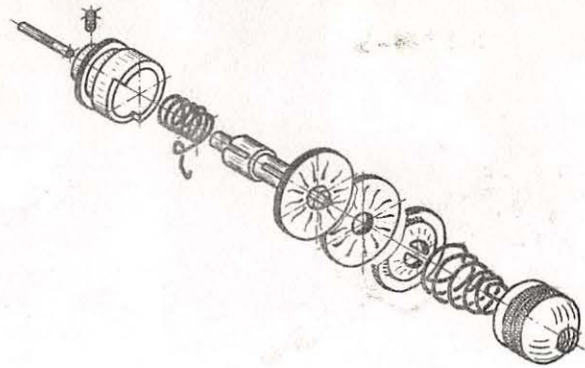


FIG. 3

3rd STEP

Loosen 3 Screws (G) Fig. 3 and turn Hook (F) to Left or Right on Shaft (H) the desired amount. Now check for $\frac{1}{64}$ of an inch clearance between scarf in Needle and point of Hook (F) as shown in Fig. 2B.

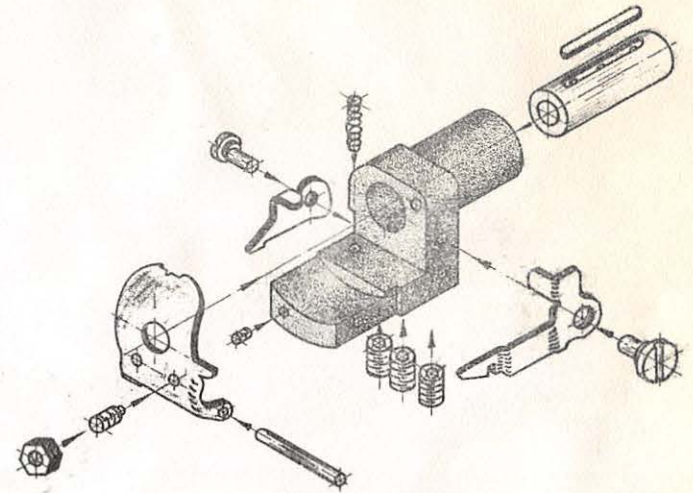
To adjust lateral position of Hook and Yoke, loosen Set Screw (I) Fig. 3 and move entire Yoke Assembly in or out on Shaft (H) making certain that hub of Hook shoulders firmly against the Yoke at point (J) Figs. 2B and 3. Tighten 3 Screws (G) and Set Screw (I) Fig. 3 securely making certain that you do not bind Hook and Shaft by too much pressure at (J).



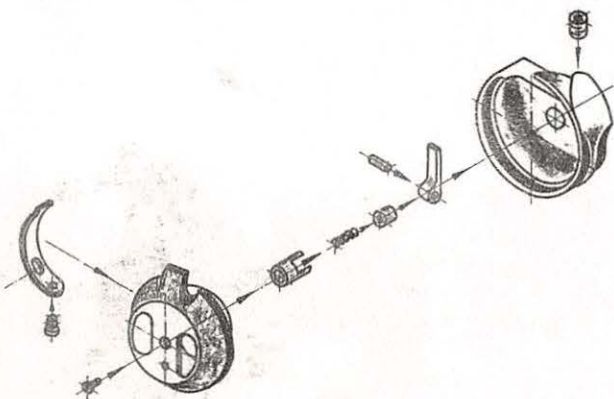
2 DL8-3

DARNING & MENDING MACHINE
CHANDLER MACHINE CO.
Pat.

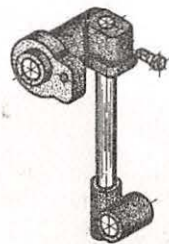
WHEN ORDERING ANY OF THESE
UNITS COMPLETE, REFER TO NUMBER
ON THIS PAGE ONLY.



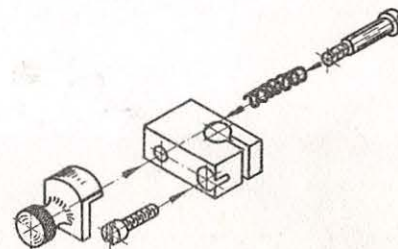
2 DL8-4



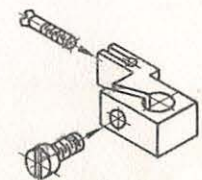
2 DL8-5



2 DL8-6

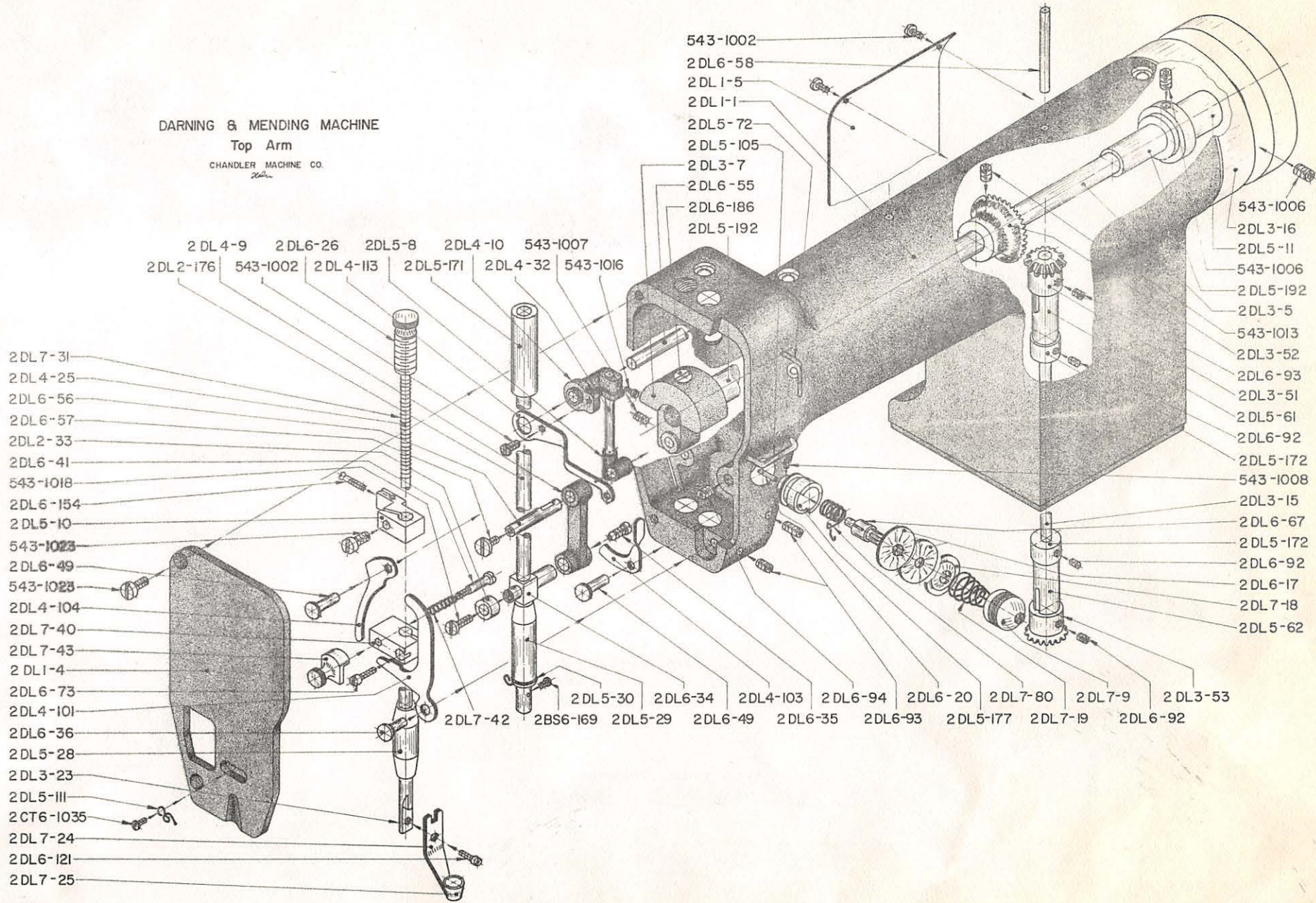


2 DL8-7

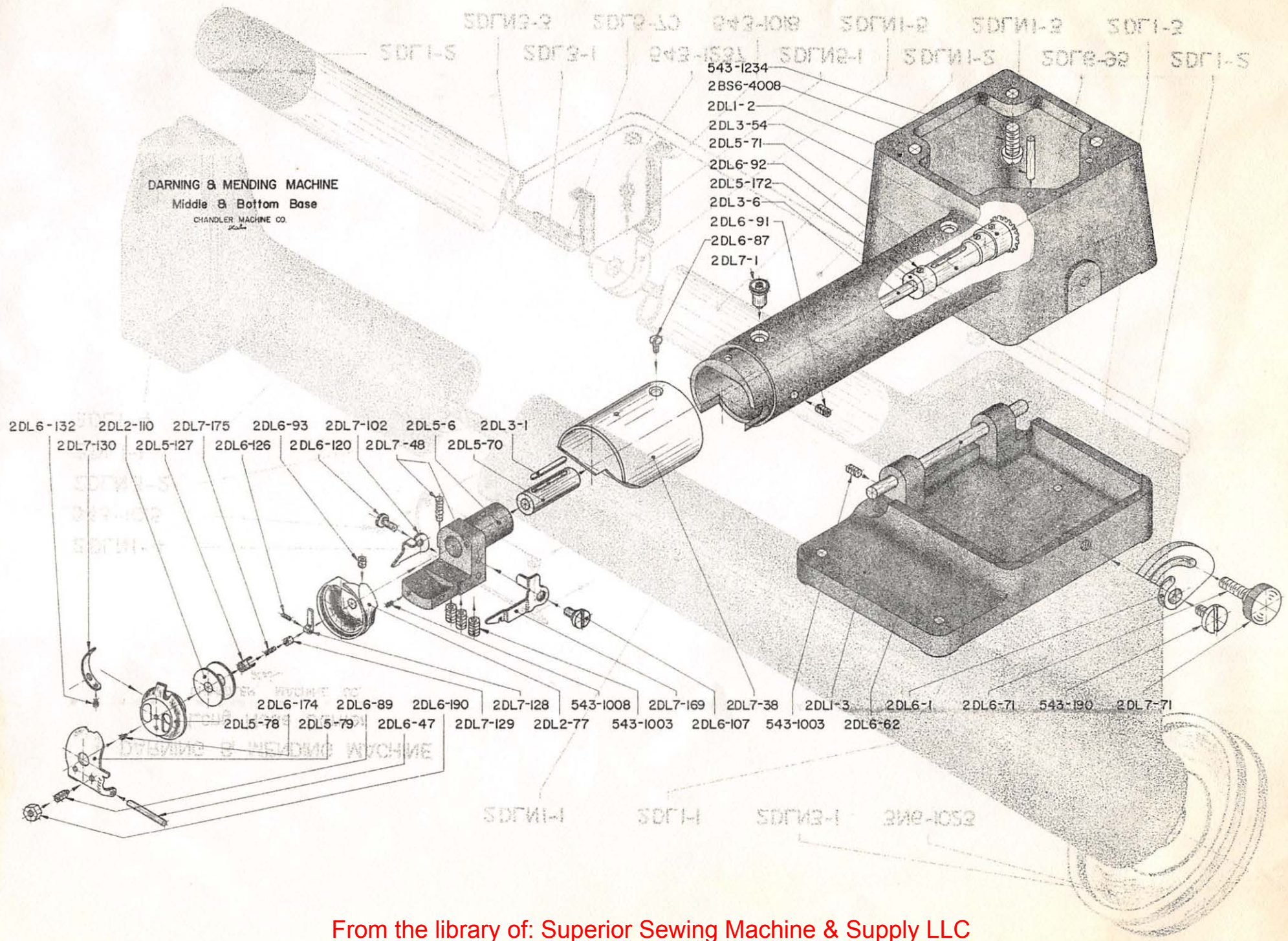


2 DL8-8

DARNING & MENDING MACHINE
 Top Arm
 CHANDLER MACHINE CO.



DARNING & MENDING MACHINE
 Middle & Bottom Base
 CHANDLER MACHINE CO.

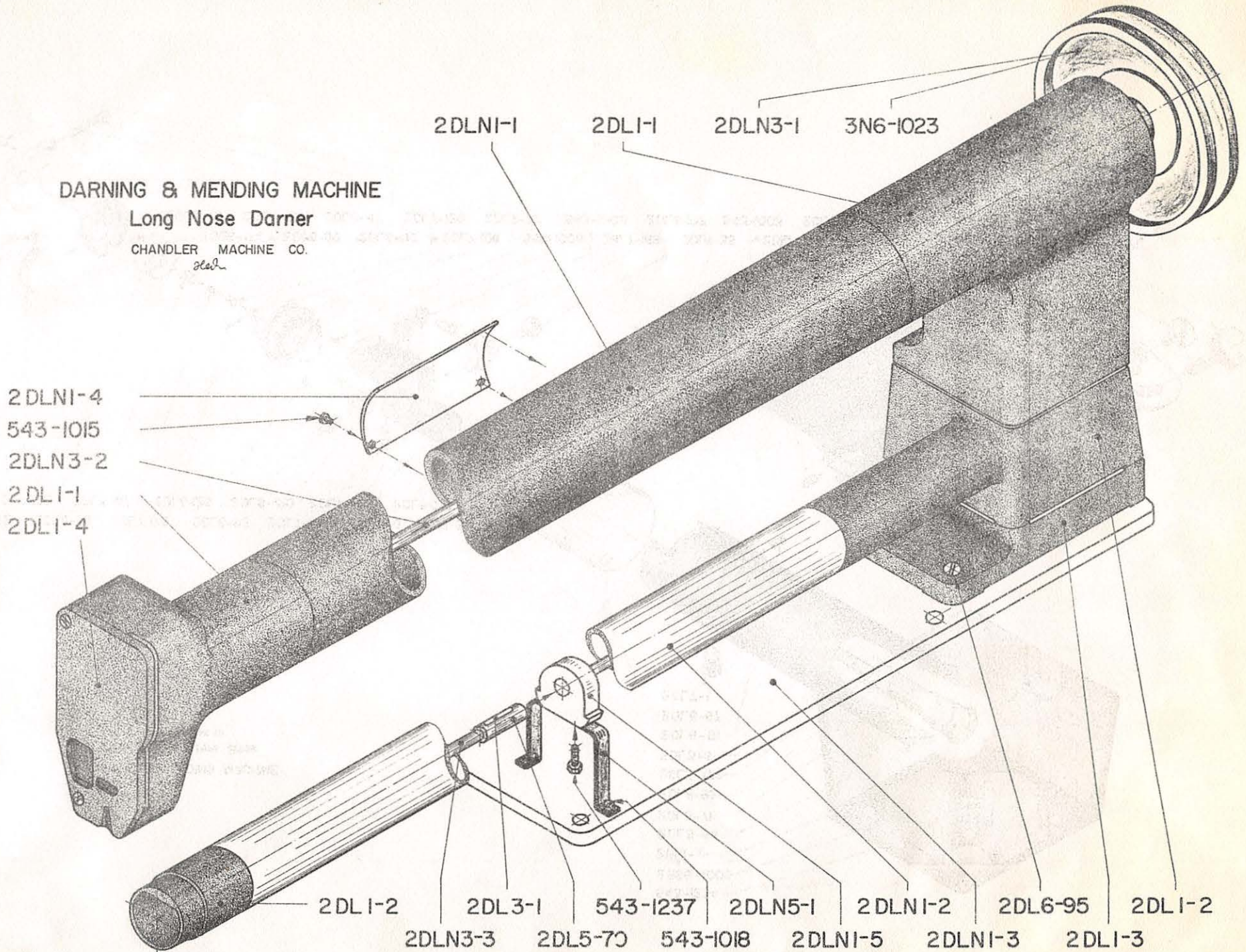


- 543-1234
- 2BS6-4008
- 2DL1-2
- 2DL3-54
- 2DL5-71
- 2DL6-92
- 2DL5-172
- 2DL3-6
- 2DL6-91
- 2DL6-87
- 2DL7-1

- 2DL6-132
- 2DL2-110
- 2DL7-175
- 2DL6-93
- 2DL7-102
- 2DL5-6
- 2DL3-1
- 2DL7-130
- 2DL5-127
- 2DL6-126
- 2DL6-120
- 2DL7-48
- 2DL5-70

- 2DL6-174
- 2DL6-89
- 2DL6-190
- 2DL7-128
- 543-1008
- 2DL7-169
- 2DL7-38
- 2DL1-3
- 2DL6-1
- 2DL6-71
- 543-190
- 2DL7-71
- 2DL5-78
- 2DL5-79
- 2DL6-47
- 2DL7-129
- 2DL2-77
- 543-1003
- 2DL6-107
- 543-1003
- 2DL6-62

DARNING & MENDING MACHINE
 Long Nose Darner
 CHANDLER MACHINE CO.
slab



DARNING & MENDING MACHINE Flat Work Plate Assembly

CHANDLER MACHINE CO.

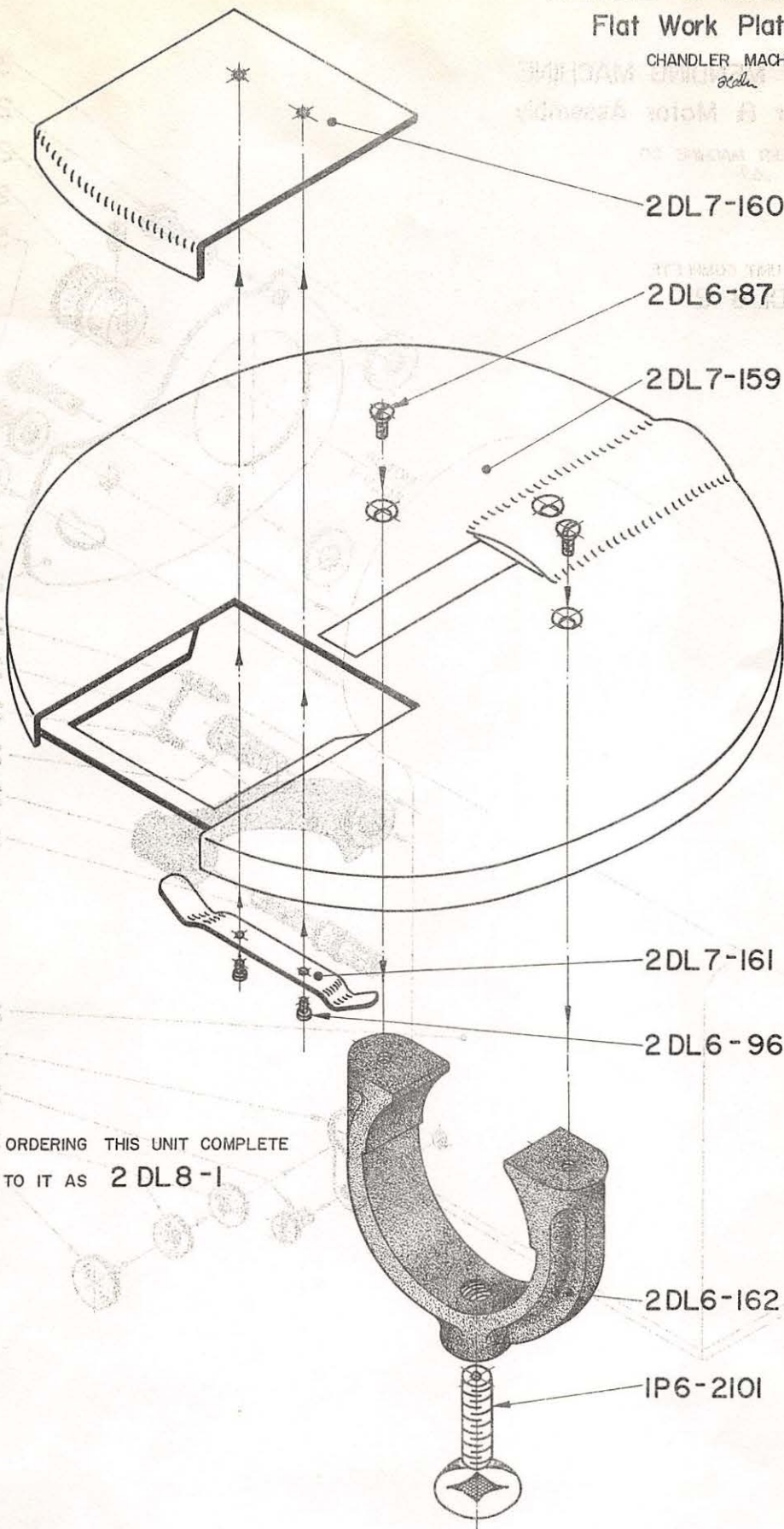
Edwin

5DL8-101
5DL8-102
5DL8-103
5DL8-104
5DL8-105

5DL8-106
5DL8-107
5DL8-108
5DL8-109
5DL8-110
5DL8-111
5DL8-112

5DL8-113
5DL8-114
5DL8-115
5DL8-116
5DL8-117
5DL8-118

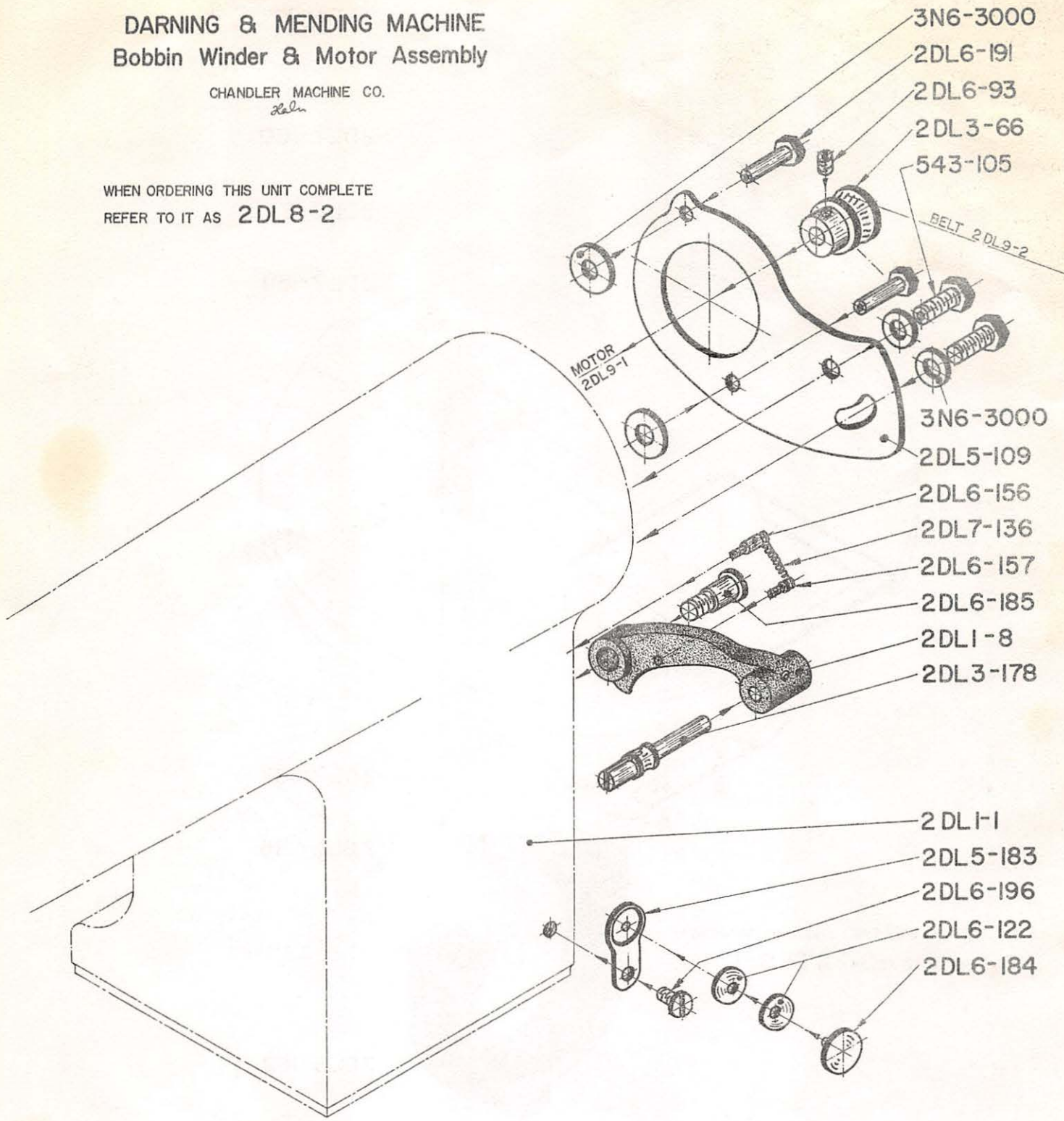
WHEN ORDERING THIS UNIT COMPLETE
REFER TO IT AS 2 DL8-1



DARNING & MENDING MACHINE
 Bobbin Winder & Motor Assembly

CHANDLER MACHINE CO.
Caln

WHEN ORDERING THIS UNIT COMPLETE
 REFER TO IT AS 2DL8-2





**NOW
AVAILABLE**

ZIG-ZAG

MODEL 217-25 ZIG-ZAG AND PLAIN SEWER

Now one of the finest Zig-Zag machines made. This is a well made excellent piece of workmanship.

LEATHERWORK:

The excellent results obtained with model 217 also extend to work with artificial and real leathers. materials difficult to pass, such as oilskin, foam rubber, or rubberized products from cotton or synthetics slide through easily and without difficulty when the specially designed roller foot is used.

SAIL AND CANVAS:

Sailcloth, awnings, canvas or the most heavily impregnated (waterproof) cotton materials can be sewn four to six ply in straight stitch and zig zag with the 217.

CORSET AND BRASSIERE:

Model 217 is the ideal machine for sewing stretch fabrics and materials.

LINGERIE:

For all straight and zig-zag sewing work, hemming, lace insets and trimmings.

CLOTHING TRADE:

For all kinds of straight and zig-zag stitch.

CURTAINS AND DRAPERIES:

You can sew curtains and drapes in all fabrics.

SPECIFICATIONS:

Standard bed size, 8mm (5/16) inch zig-zag width, medium brown finish, 16 x 231 needles, 2700 spm, pressure foot lift 3.5mm (3/8 inch)

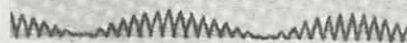
STRETCHED MODEL 217-50-25

Designed especially for sail work where that long reach is often necessary. This is simply a medium duty machine capable of straight sewing, zig-zag sewing or wave sewing.

The machine will not sew the points of sails as this requires a very heavy machine (See Model 166-1). However, many satisfied users in New England, Chesapeake Bay area, Great Lakes, Gulf States, and West Coast report that the machine is in use 5-6 hours per day on varied jobs.

Needle 16 x 231, reverse stitch, color light brown, 20" clearance underarm. 2500 RPM.

COMPLETE -
Machine, table, light, chair, thread stand,
bobbin winder, ready to go - ready to sew.



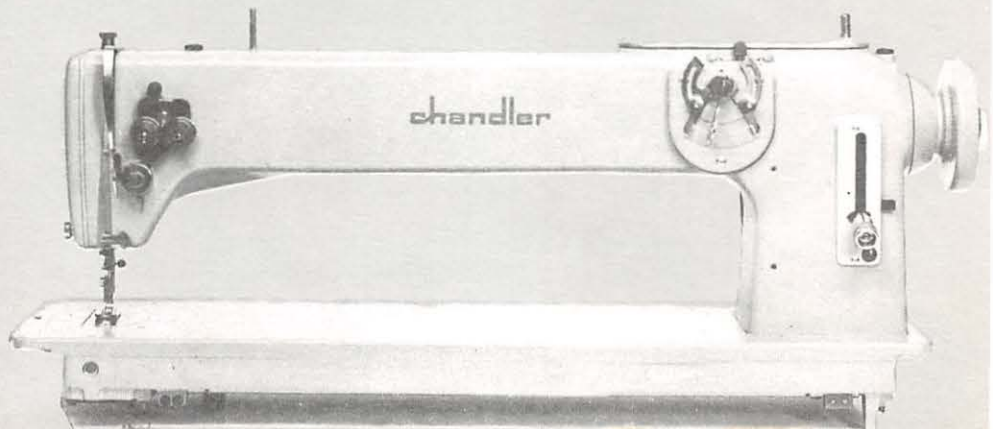
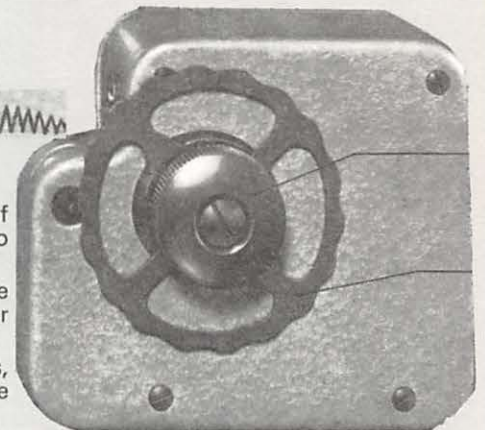
MODEL 217-25Z

Auxiliary programmed stitching-

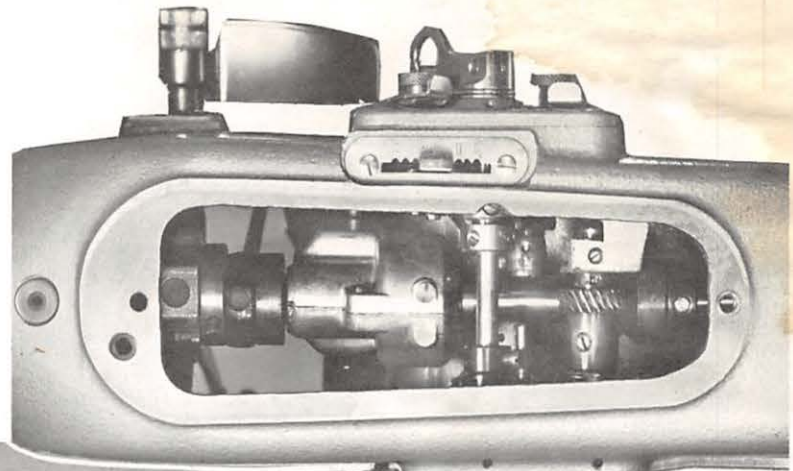
Cam driven linkage box attached to rear of machine automatically programs needle bar to stitch a wide variety of patterns.

One of the most popular patterns is the serpentine stitch used in sailwork for greater strength of seam.

Other patterns such as diamonds, wedges, half circles, etc., are used mainly in decorative color threads on clothing or leather.

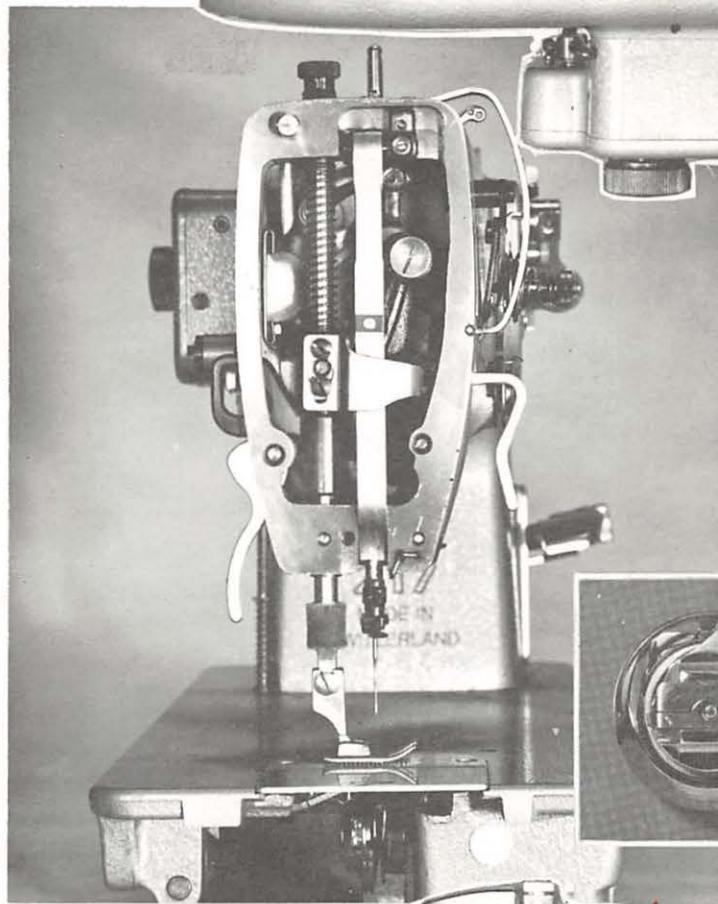


INTERNAL WORKING MECHANISMS-MODEL 217-25



TOP VIEW:

Into gearbox shows top main shaft gear drive with gear lubrication housing. Please also note auxilliary cam housing for programmed stitching. Available only on "Z" machines at extra cost. You cannot make a field installation of cam housing. It is easier to order a "Z" machine complete if you need the automatic program stitching.

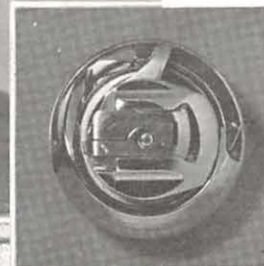


FRONT VIEW:

Shows crank type link take up motion that ensures quiet smooth running at higher speeds and heavier materials. Reverse stitch lever visible in background on right. Simple push down action-automatic return.

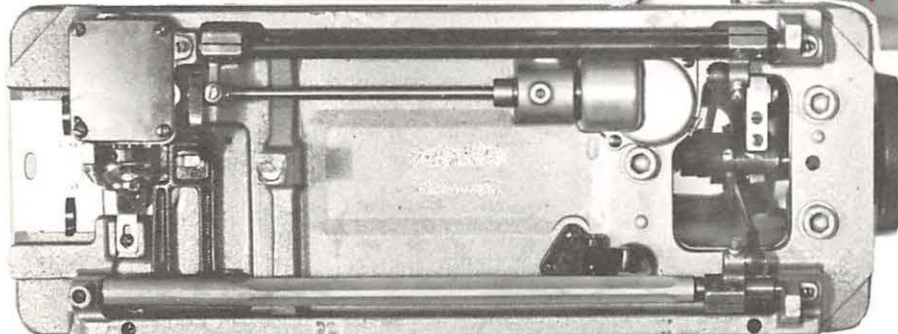
HOOK:

Full rotary hook specially designed for zig-zag stitching. Produced from the finest quality alloy steels and precision machined for maximum performance and long life. Replacements reasonably priced.



BOTTOM VIEW:

Illustrates gear shaft driven bottom shaft and right angle gearing to position hook in front of needle thereby building better stitch loops when the sewing gets tough. This unique design makes the 217-25 zig-zag machine the best performer on the market today.



SUMMARY:

We hope you are or will shortly be a proud owner of the model 217-25 zig-zag machine. This brochure could never describe what a handsome machine this is to own. Its performance is unsurpassed. It can work on the lightest materials with gentle swift precision or sew heavy canvas binding work by altering the fittings. Certainly not the lowest priced zig-zag but in analyzing what money buys, this is the most economical investment. If you just want in and out, do not buy this machine. If, however, you are in business, will be in business, or want to sell your assets at some later time, this is the machine to call yours.

From the library of: Superior Sewing Machine & Supply LLC
CHANDLER MACHINE CO. INC., AYER, MASS. 01432 USA TELEX 928448 TELEPHONE: 617 772-0522